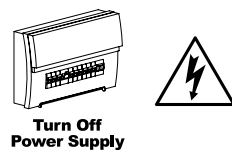


Installation Procedure

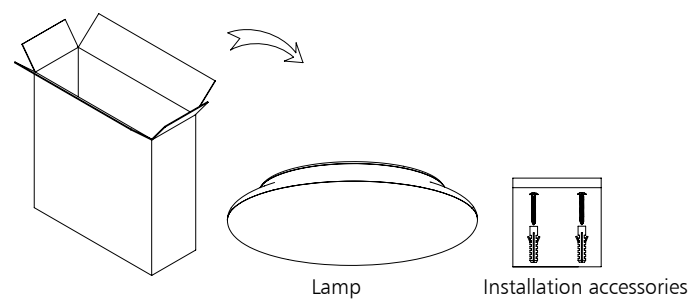
WARNING ⚡

1. Switch off before installation / maintenance.
2. Switch on only after complete installation and examination of the circuit.
3. Professional electrician for installation and maintenance only.

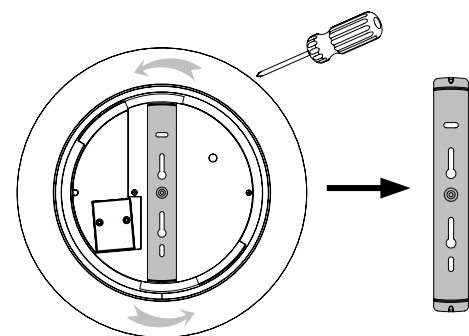
Turn Off power supply before starting any installation. Read instructions & check you have all the tools & accessories to complete the installation correctly.



Step1

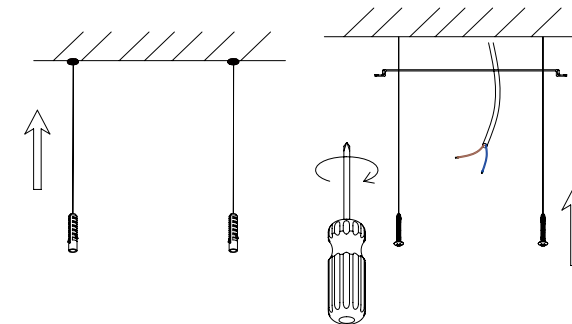


Step2



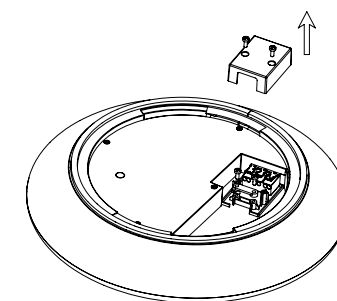
Pull out the bracket anticlockwise by screw driver, take out the bracket.

Step3



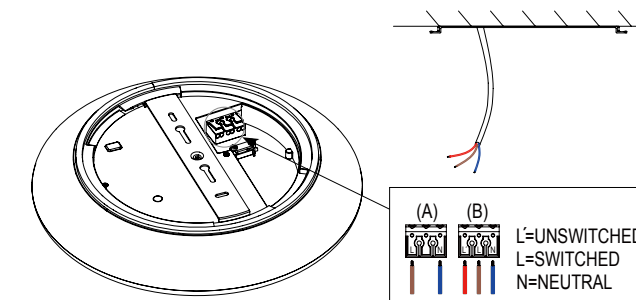
Knock the plastic anchor into ceiling, fix the bracket with screws on the ceiling.

Step4



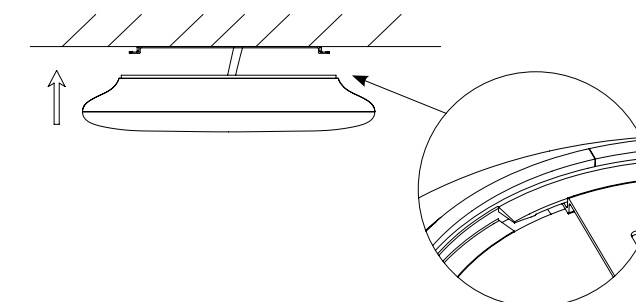
Remove the terminal block cover and crimping clip.

Step5



(A) wiring diagram only for NON-emergency function light.
(B) wiring diagram only for Emergency function light.

Step6



Push the lamp upward and rotate it into bracket. Rotate the lamp clockwise until it is firmly fixed.

Step7

